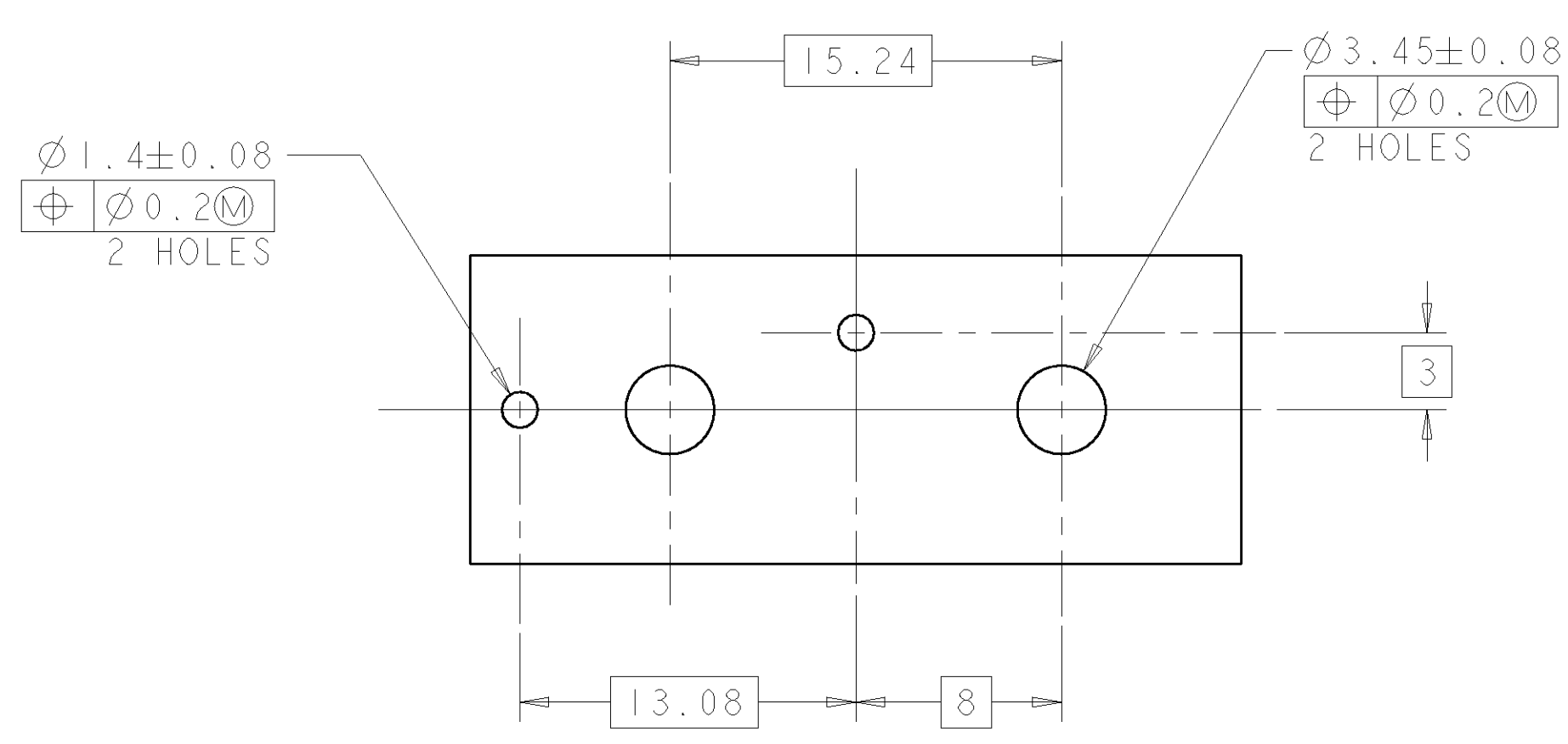
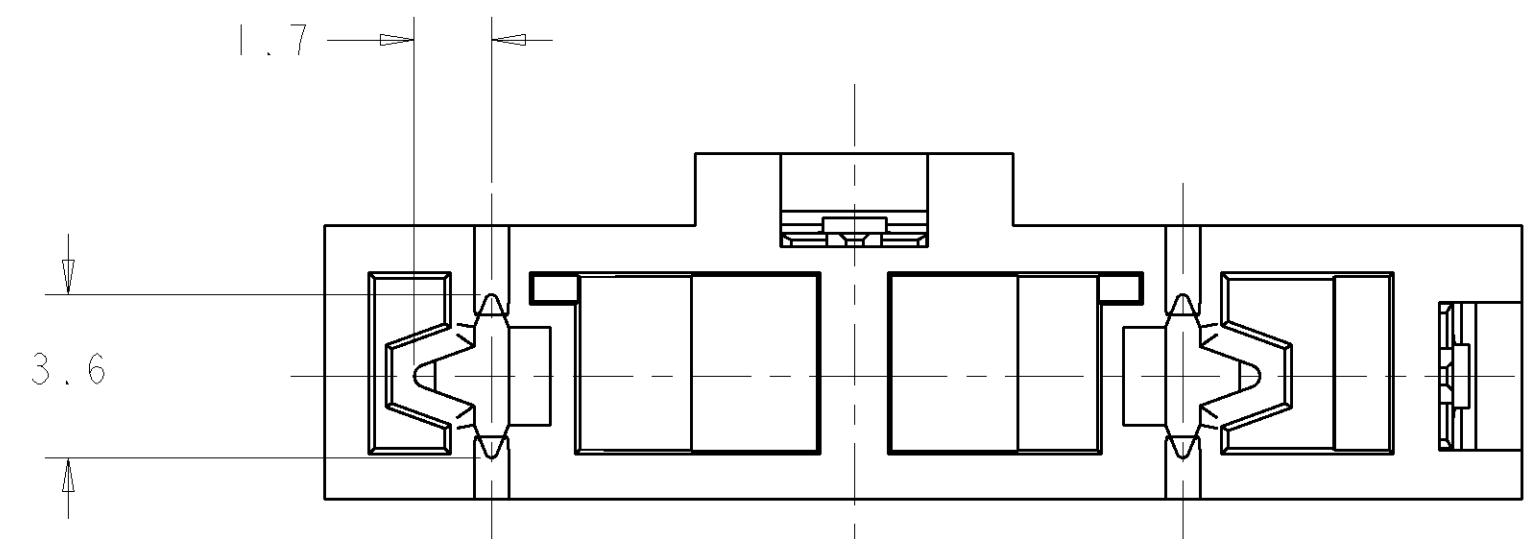
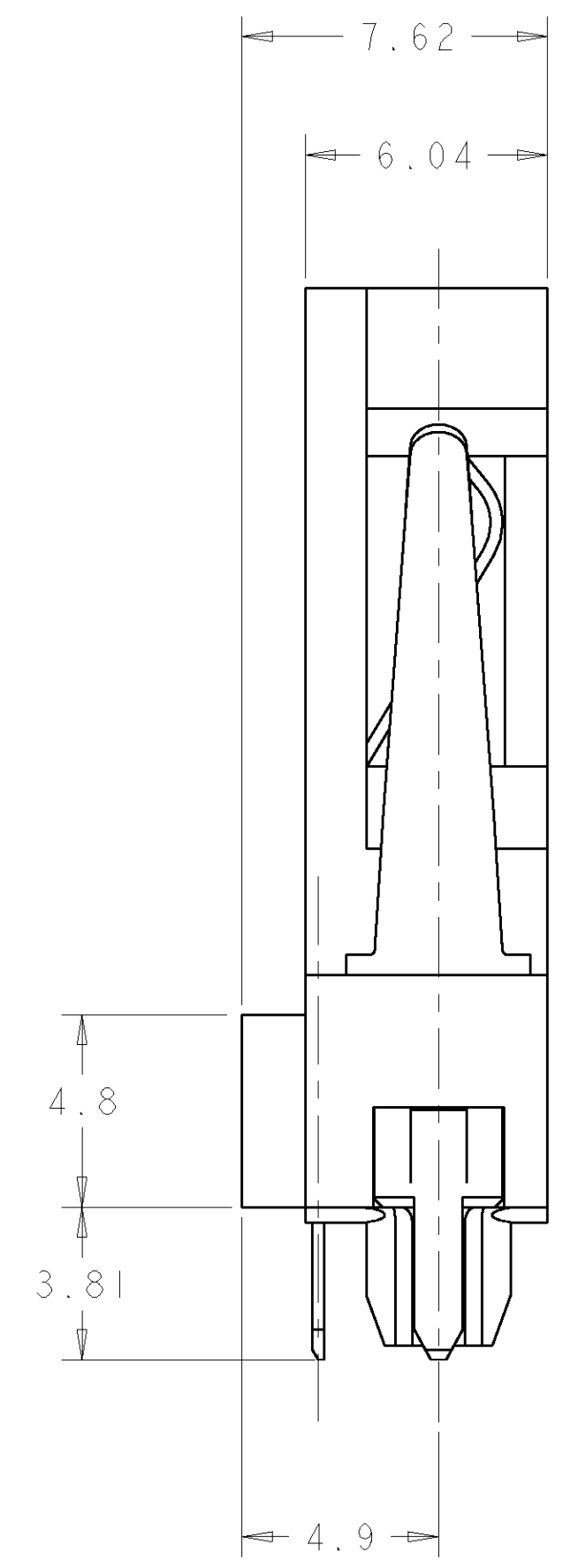
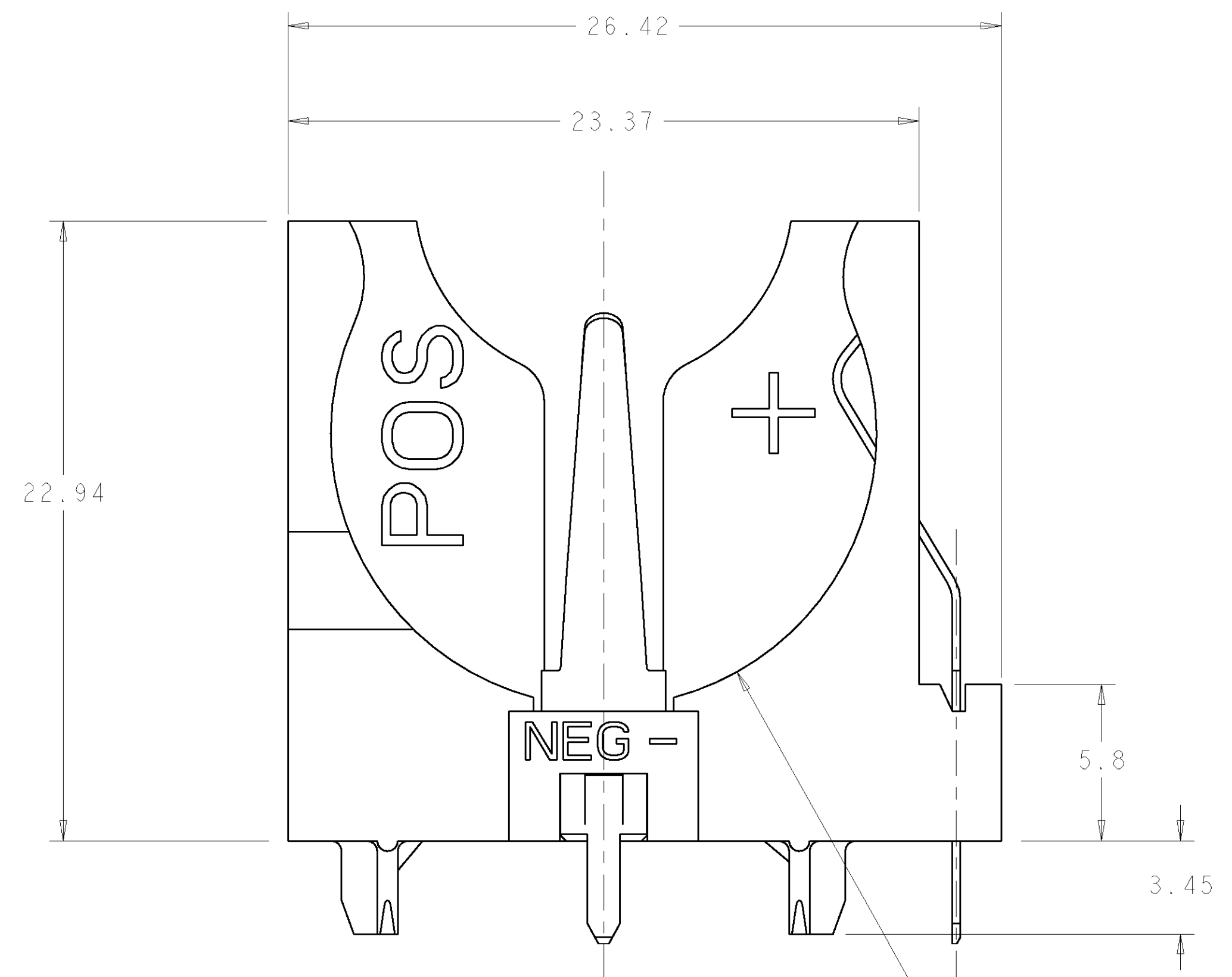
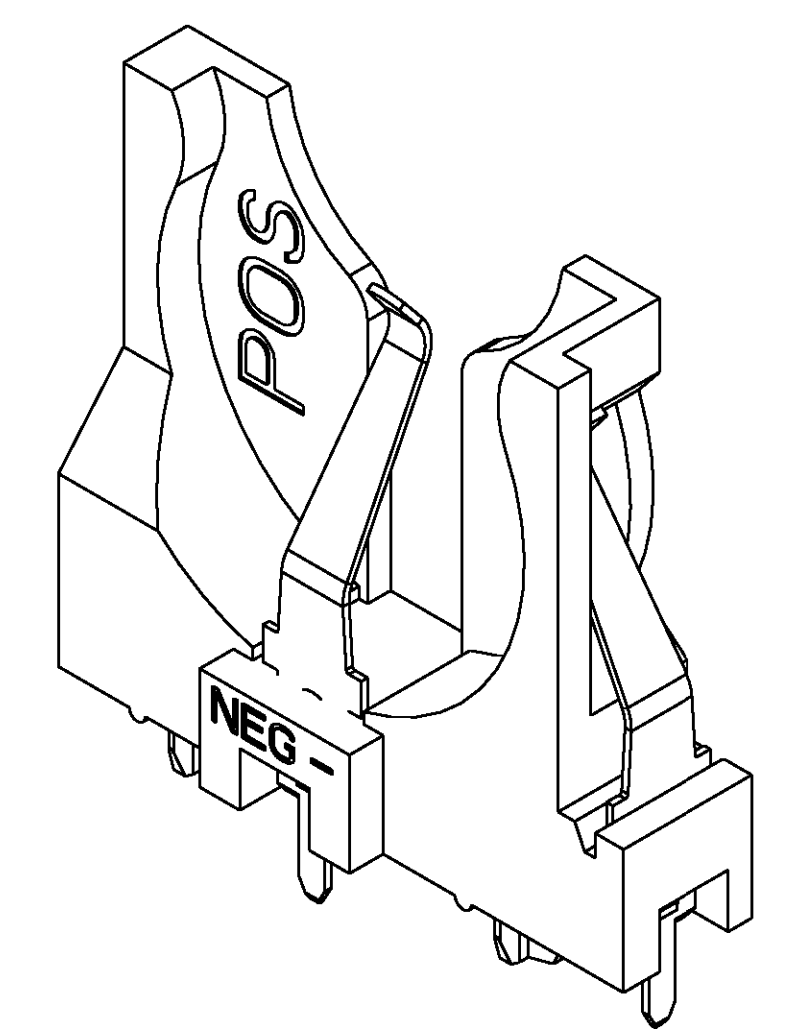


LOC		DIST		REVISIONS				
ES	00	P	LTR	DESCRIPTION	DATE	DWN	APVD	
		0		RELEASED PER	ECR-05-001438	07APR05	J.Z	I.E.
		-						
		-						



PC BOARD LAYOUT VIEWED FROM COMPONENT SIDE OF BOARD
 SCALE 4:1

⚠ MATERIAL: CONNECTOR HOUSING- PBT, GLASS FILLED, UL-94V-0 FLAME CLASS RATING, BLACK.
 CONTACTS- STAINLESS STEEL, TIN COATED 0.0015-0.0040 THICK OVER NICKEL 0.0015 MIN THICK.
 2. CONNECTOR ACCEPTS BATTERY NUMBER CR2032.



SCALE 4:1

THIS PRODUCT HAS NOT BEEN QUALIFIED BY TYCO ENGINEERING

6339488-1
 PART NO.

DIMENSIONS:		TOLERANCES UNLESS OTHERWISE SPECIFIED:		DWN: Vlk Slack 12JUN2001		Tyco Electronics Tyco Electronics Harrisburg, PA 17105-3608	
mm		0 PLC ±		ENR: Mitch Miller 13JUN2001		NAME: BATTERY CONNECTOR ASSEMBLY, VERTICAL MOUNT	
Ø		1 PLC ±		APVD: RANDY SIMMONS 31MAY2002		SIZE: CAGE CODE DRAWING NO. RESTRICTED TO	
Ø		2 PLC ±		PRODUCT SPEC		A1 00779 C= 6339488	
Ø		3 PLC ±		APPLICATION SPEC		SCALE 6:1 SHEET 1 OF 1 REV 0	
Ø		4 PLC ±		WEIGHT			
Ø		5 PLC ±		CUSTOMER DRAWING			
Ø		6 PLC ±					
Ø		7 PLC ±					
Ø		8 PLC ±					
Ø		9 PLC ±					
Ø		10 PLC ±					
Ø		11 PLC ±					
Ø		12 PLC ±					
Ø		13 PLC ±					
Ø		14 PLC ±					
Ø		15 PLC ±					
Ø		16 PLC ±					
Ø		17 PLC ±					
Ø		18 PLC ±					
Ø		19 PLC ±					
Ø		20 PLC ±					
Ø		21 PLC ±					
Ø		22 PLC ±					
Ø		23 PLC ±					
Ø		24 PLC ±					
Ø		25 PLC ±					
Ø		26 PLC ±					
Ø		27 PLC ±					
Ø		28 PLC ±					
Ø		29 PLC ±					
Ø		30 PLC ±					
Ø		31 PLC ±					
Ø		32 PLC ±					
Ø		33 PLC ±					
Ø		34 PLC ±					
Ø		35 PLC ±					
Ø		36 PLC ±					
Ø		37 PLC ±					
Ø		38 PLC ±					
Ø		39 PLC ±					
Ø		40 PLC ±					
Ø		41 PLC ±					
Ø		42 PLC ±					
Ø		43 PLC ±					
Ø		44 PLC ±					
Ø		45 PLC ±					
Ø		46 PLC ±					
Ø		47 PLC ±					
Ø		48 PLC ±					
Ø		49 PLC ±					
Ø		50 PLC ±					
Ø		51 PLC ±					
Ø		52 PLC ±					
Ø		53 PLC ±					
Ø		54 PLC ±					
Ø		55 PLC ±					
Ø		56 PLC ±					
Ø		57 PLC ±					
Ø		58 PLC ±					
Ø		59 PLC ±					
Ø		60 PLC ±					
Ø		61 PLC ±					
Ø		62 PLC ±					
Ø		63 PLC ±					
Ø		64 PLC ±					
Ø		65 PLC ±					
Ø		66 PLC ±					
Ø		67 PLC ±					
Ø		68 PLC ±					
Ø		69 PLC ±					
Ø		70 PLC ±					
Ø		71 PLC ±					
Ø		72 PLC ±					
Ø		73 PLC ±					
Ø		74 PLC ±					
Ø		75 PLC ±					
Ø		76 PLC ±					
Ø		77 PLC ±					
Ø		78 PLC ±					
Ø		79 PLC ±					
Ø		80 PLC ±					
Ø		81 PLC ±					
Ø		82 PLC ±					
Ø		83 PLC ±					
Ø		84 PLC ±					
Ø		85 PLC ±					
Ø		86 PLC ±					
Ø		87 PLC ±					
Ø		88 PLC ±					
Ø		89 PLC ±					
Ø		90 PLC ±					
Ø		91 PLC ±					
Ø		92 PLC ±					
Ø		93 PLC ±					
Ø		94 PLC ±					
Ø		95 PLC ±					
Ø		96 PLC ±					
Ø		97 PLC ±					
Ø		98 PLC ±					
Ø		99 PLC ±					
Ø		100 PLC ±					